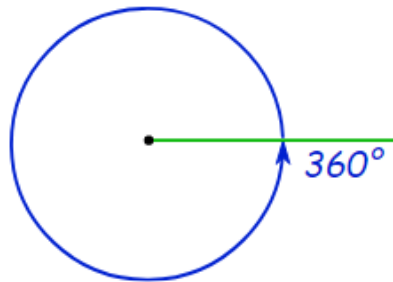


Lesson 2- Angles around a point

Full Rotation

A full rotation is 360 degrees



This is a "full rotation" or "revolution" or "complete turn" or "full circle"

It means turning around until you point in the same direction again.

Look through the powerpoint to find out more about angles around a point.

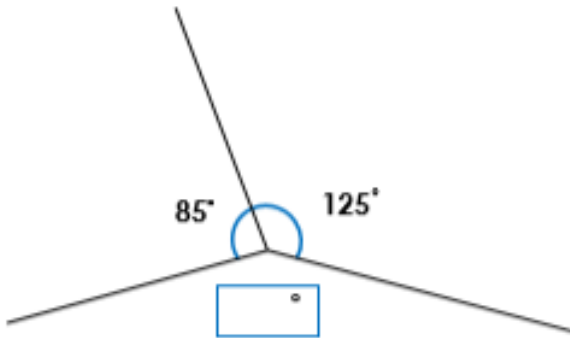
Choose a task that you feel confident in completing. 3 options that you have are developing, expected and greater depth.

Developing

Calculating Angles around a Point

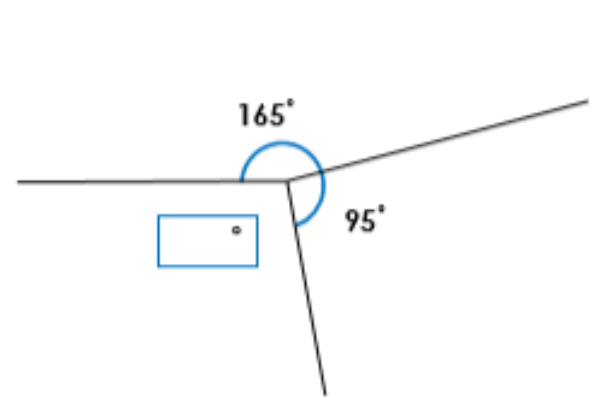
Calculating Angles around a Point

1a. What is the missing angle?



VF

1b. What is the missing angle?



VF

2a. Three angles make up a full turn. These are 2 of the angles:

75°
 155°

What is the value of the third angle?



VF

2b. Three angles make up a full turn. These are 2 of the angles:

80°
 165°

What is the value of the third angle?



VF

3a. Circle 3 angles that will add up to make a full turn.

125° 175°
 60° 75°



VF

3b. Circle 3 angles that will add up to make a full turn.

115° 55°
 85° 160°



VF

4a. A third of a full turn is 120°

True or false?



VF

4b. A quarter of a full turn is 45°

True or false?



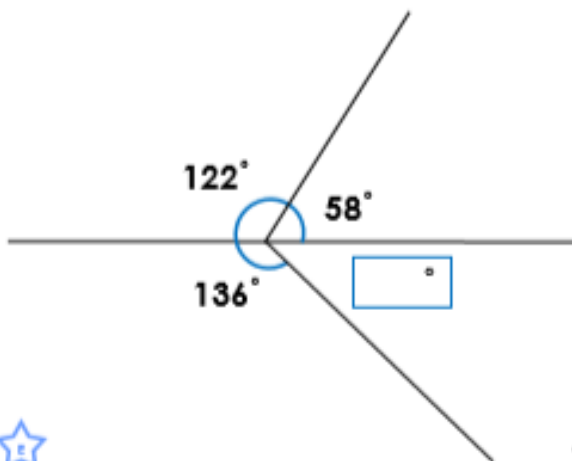
VF

Expected

Calculating Angles around a Point

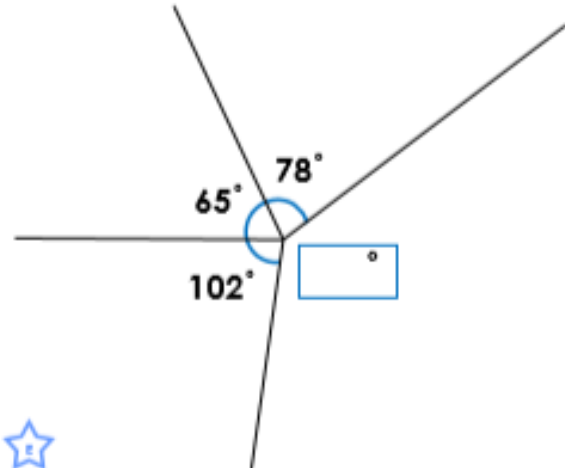
Calculating Angles around a Point

5a. What is the missing angle?



VF

5b. What is the missing angle?



VF

6a. Four angles make up a full turn. These are 3 of the angles:

28°
 143°
 92°

What is the value of the fourth angle?



VF

6b. Four angles make up a full turn. These are 3 of the angles:

36°
 178°
 67°

What is the value of the fourth angle?



VF

7a. Circle 4 angles that will add up to make a full turn.

32° 69° 112°
 53° 101° 78°



VF

7b. Circle 4 angles that will add up to make a full turn.

81° 59° 136°
 22° 84° 78°



VF

8a.

A sixth of a full turn is 66°

True or false?



VF

8b.

An eighth of a full turn is 45°

True or false?



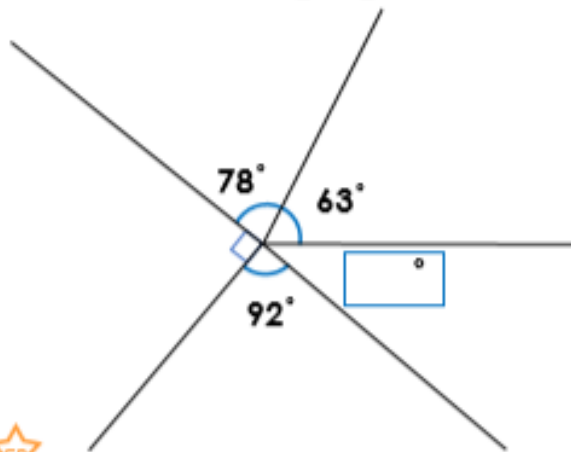
VF

Greater Depth

Calculating Angles around a Point

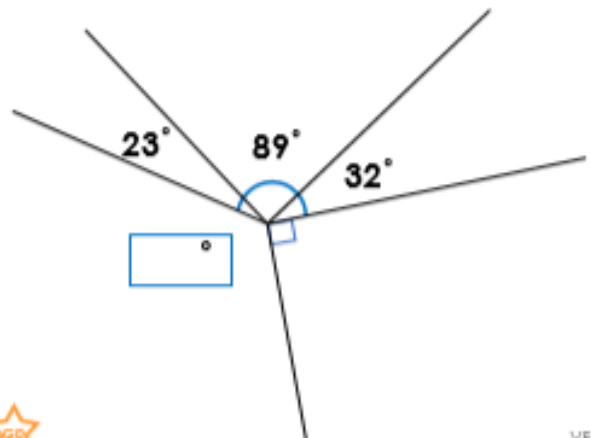
Calculating Angles around a Point

9a. What is the missing angle?



VF

9b. What is the missing angle?



VF

10a. Five angles make up a full turn. These are 4 of the angles:

54°
13°
93°
64°

What is the value of the fifth angle?



VF

10b. Five angles make up a full turn. These are 4 of the angles:

54°
66°
124°
71°

What is the value of the fifth angle?



VF

11a. Circle 5 angles that will add up to make a full turn.



VF

11b. Circle 5 angles that will add up to make a full turn.



VF

12a. Three-ninths of a full turn is 120°

True or false?



VF

12b. Five-eighths of a full turn is 200°

True or false?



VF