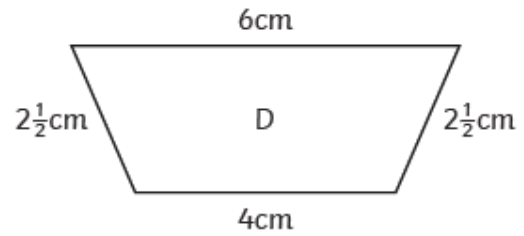
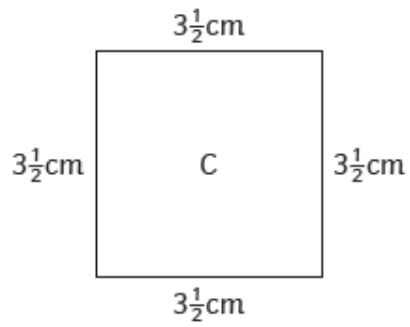
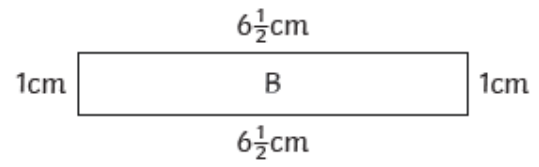
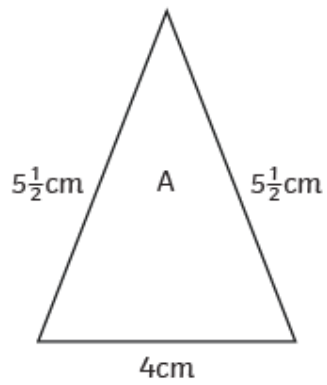


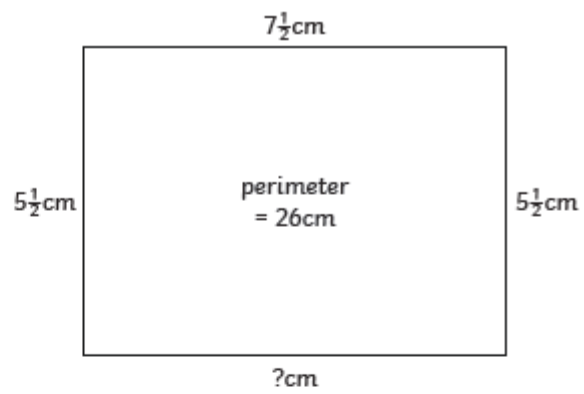
Perimeter of Shape Answer Sheet

- 1) Calculate the perimeter of these shapes.  
Which is the odd one out, and why?

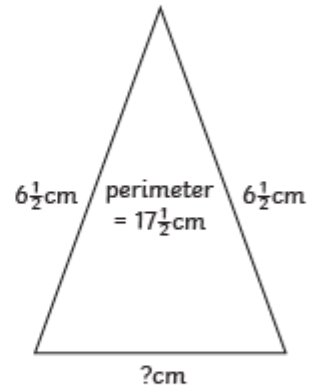


Answer:

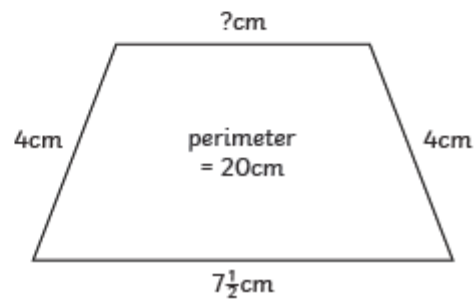
a) Missing side = \_\_\_\_\_ cm



b) Missing side = \_\_\_\_\_ cm



c) Missing side = \_\_\_\_\_ cm

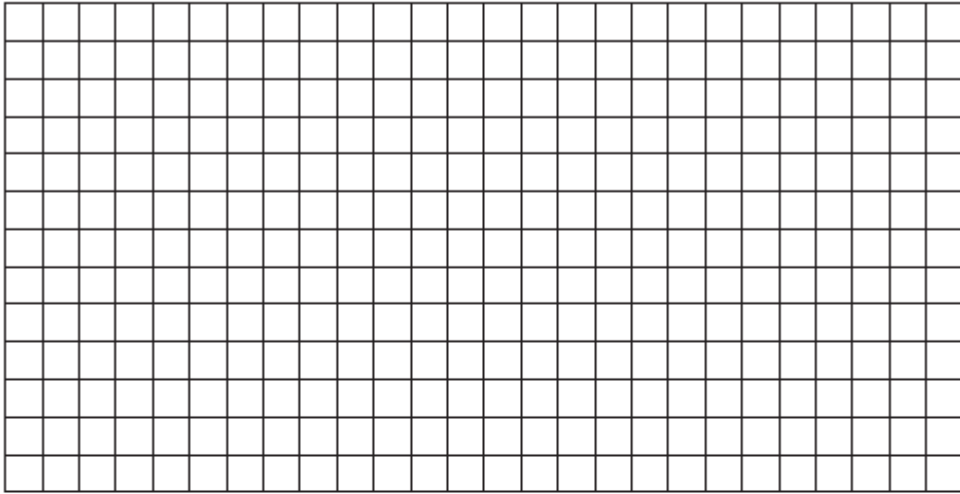


Answers:

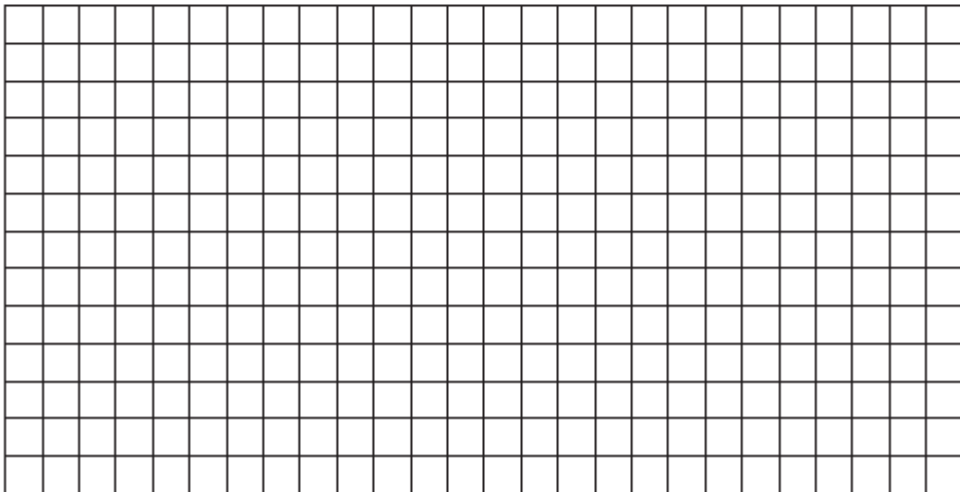
Challenge:

In your study books and upload/share.

Draw four composite rectilinear shapes, not to scale, with a perimeter of 46cm.



Draw four composite rectilinear shapes, not to scale, with a perimeter of 72cm.



Challenge – in your study books and upload if possible